

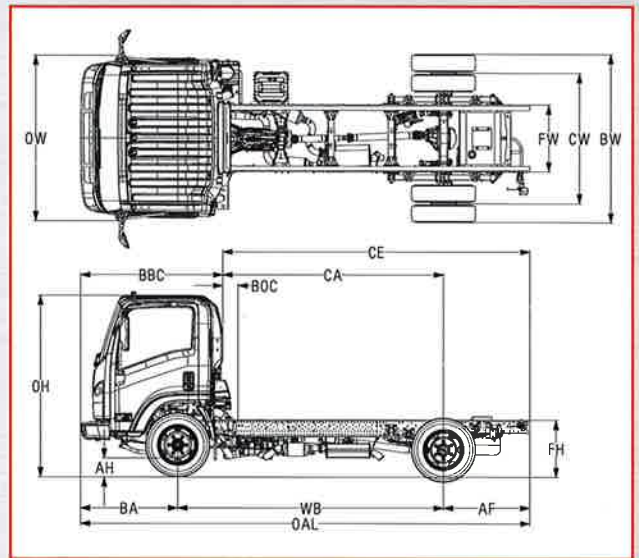
ISUZU

NPR

V8 GAS

STANDARD CAB

GVWR/GCWR	12,000/18,000 lbs.
BODY/PAYLOAD ALLOWANCE	6,826- 6,994 lbs.
GAWR	
Front	4,860 lbs.
Rear	8,840 lbs.
FRONT AXLE CAPACITY	6,830 lbs.
REAR AXLE CAPACITY	11,020 lbs.
Ratio	5.125
SUSPENSION F/R SPRINGS	Tapered/Multi-Leaf
Capacity	8,440/12,900 lbs.
FRAME	
Section Modulus	7.20 in. ³
Resistance Bending Moment	316,800 lb.-ft./in.
SERVICE BRAKES	Vacuum/Hydraulic with
Front/Rear	4-Channel ABS Disc/Drum
TRANSMISSION	6L90 6-speed auto. with
	double overdrive and
	lock-up converter
ENGINE	GMPT L96 (Gen IV) V8 Vortec
	6000 KL8 (Alternative Fuel
	Capable Engine)
Displacement	6.0L (365 in. ³)
Engine Power	297hp @ 4,300 rpm
Engine Torque	372 lb.-ft. @ 4,000 rpm
LIMITED SLIP DIFFERENTIAL	Optional
ALTERNATOR	145-amp
BATTERIES	1 Maintenance-Free
	750-CCA
TIRES LRR (Low Rolling Resistance)	215/85R16E (10-pr)
	Standard
STEERING	Integral Hydraulic Power
STEERING COLUMN	Tilt and Telescopic
FUEL TANK	
Standard	30 Gal. in-frame



Wheelbase (in.)	Cab to Axle (in.)	Cab to End of Frame (in.)	Back of Cab (in.)	Overall Length (in.)	Body Length (in.)	Overall Width (in.)	Axle Width (in.)	Overall Height (in.)
109.0	86.5	129.6	6.5	200.5	10-12	81.3	65.6	90.0
132.5	110.0	153.1	6.5	224.0	14	81.3	65.6	90.0
150.0	127.5	170.6	6.5	241.5	16-18	81.3	65.6	90.0
176.0	153.5	196.6	6.5	267.5	18-20	81.3	65.6	90.0

2016 ISUZU N-SERIES GAS WARRANTY COVERAGE AT A GLANCE

Vehicle Coverage	Warranty Limitations (Time or Mileage, Whichever Comes First)*		Percentage Of Dealer's Normal Charge Paid By Owner	
	Time in years*	Vehicle miles*	Parts	Labor
Basic (See "What's covered")	0-3 Years	0-36,000	No Charge	No Charge
Engine	0-5 Years	0-75,000	No Charge	No Charge
• Transmission • Drive Axle • Driveshaft • Front Axle I-Beam • Crossmembers	0-5 Years	0-75,000	No Charge	No Charge
Frame Rails:	0-3 Years	0-36,000	No Charge	No Charge
	3-5 Years	Unlimited	50%	50%
Federal Emissions	0-5 Years	0-50,000	No Charge	No Charge
Engine Emissions Control System (NPR model) California	0-3 Years	0-50,000	No Charge	No Charge
Engine Emissions Control System (NPR model) California	0-7 Years	0-70,000	No Charge	No Charge
Tires	0-2 Years	0-24,000	No Charge	No Charge
Corrosion (Rust-Through)	0-4 Years	Unlimited	No Charge	No Charge

* The warranty coverages are determined by the mileage of the vehicle and the number of years from the delivery date.

See your authorized Isuzu dealer for warranty details.



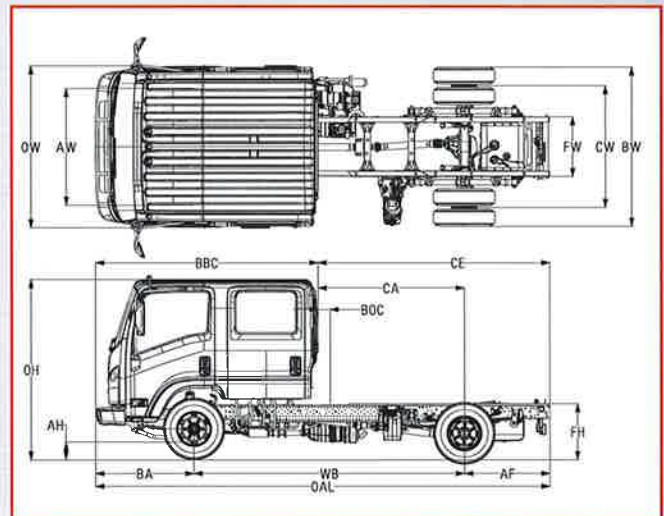
All photographs, illustrations, equipment and technical data in this brochure are based on the latest information available at the time of publication. Isuzu Commercial Truck of America, Inc. reserves the right to make changes at any time, without notice, in prices, colors, materials, equipment, specifications and models, and to discontinue models or equipment. Isuzu vehicles are assembled from component parts manufactured by Isuzu Motors Limited, its affiliated companies, and by independent suppliers who manufacture such components to Isuzu's exacting standards for quality, performance and safety. Some vehicles are shown with optional equipment. Some equipment is dealer installed. Visit your authorized Isuzu dealer for warranty and other details.

ISUZU NPR



CREW CAB

GVWR/GCWR	12,000/18,000 lbs.
BODY/PAYLOAD ALLOWANCE	6,186-6,241 lbs.
GAWR	
Front	4,860 lbs.
Rear	8,840 lbs.
FRONT AXLE CAPACITY	6,830 lbs.
REAR AXLE CAPACITY	11,020 lbs.
Ratio	5.125
SUSPENSION F/R SPRINGS	Tapered/Multi-Leaf
Capacity	8,440/12,900 lbs.
FRAME	
Section Modulus	7.20 in. ³
Resistance Bending Moment	316,800 lb.-ft./in.
SERVICE BRAKES	Vacuum/Hydraulic with
Front/Rear	4-Channel ABS Disc/Drum
TRANSMISSION	6L90 6-speed auto. with double overdrive and lock-up converter
ENGINE	GMPT L96 (Gen IV) V8 Vortec 6000 KL8 (Alternative Fuel Capable Engine)
Displacement	6.0L (365 in. ³)
Engine Power	297hp @ 4,300 rpm
Engine Torque	372 lb.-ft. @ 4,000 rpm
LIMITED SLIP DIFFERENTIAL	Optional
ALTERNATOR	145-amp
BATTERIES	1 Maintenance-Free 750-CCA
TIRES LRR (Low Rolling Resistance)	215/85R16E (10-pr) Standard
STEERING	Integral Hydraulic Power
STEERING COLUMN	Tilt and Telescopic
FUEL TANK	
Standard	30 Gal. in-frame



Wheelbase (in.)	Cab to Axle (in.)	Cab to End of Frame (in.)	Back of Cab (in.)	Overall Length (in.)	Body Length (in.)	Overall Width (in.)	Axle Width (in.)	Overall Height (in.)
150.0	88.5	131.6	5.0	241.5	12	81.3	65.6	90.0
176.0	114.5	157.6	5.0	267.5	16	81.3	65.6	90.0

2016 ISUZU N-SERIES GAS WARRANTY COVERAGE AT A GLANCE

Vehicle Coverage	Warranty Limitations (Time or Mileage, Whichever Comes First)*		Percentage Of Dealer's Normal Charge Paid By Owner	
	Time in years*	Vehicle miles*	Parts	Labor
Basic (See "What's covered")	0-3 Years	0-36,000	No Charge	No Charge
Engine	0-5 Years	0-75,000	No Charge	No Charge
• Transmission				
• Drive Axle				
• Driveshaft	0-5 Years	0-75,000	No Charge	No Charge
• Front Axle I-Beam				
• Crossmembers				
Frame Rails	0-3 Years	0-36,000	No Charge	No Charge
	3-5 Years	Unlimited	50%	50%
Federal Emissions	0-5 Years	0-50,000	No Charge	No Charge
Engine Emissions Control System (NPR model) California	0-3 Years	0-50,000	No Charge	No Charge
Engine Emissions Control System (NPR model) California	0-7 Years	0-70,000	No Charge	No Charge
Tires	0-2 Years	0-24,000	No Charge	No Charge
Corrosion (Rust Through)	0-4 Years	Unlimited	No Charge	No Charge

* The warranty coverages are determined by the mileage of the vehicle and the number of years from the delivery date.

See your authorized Isuzu dealer for warranty details.

